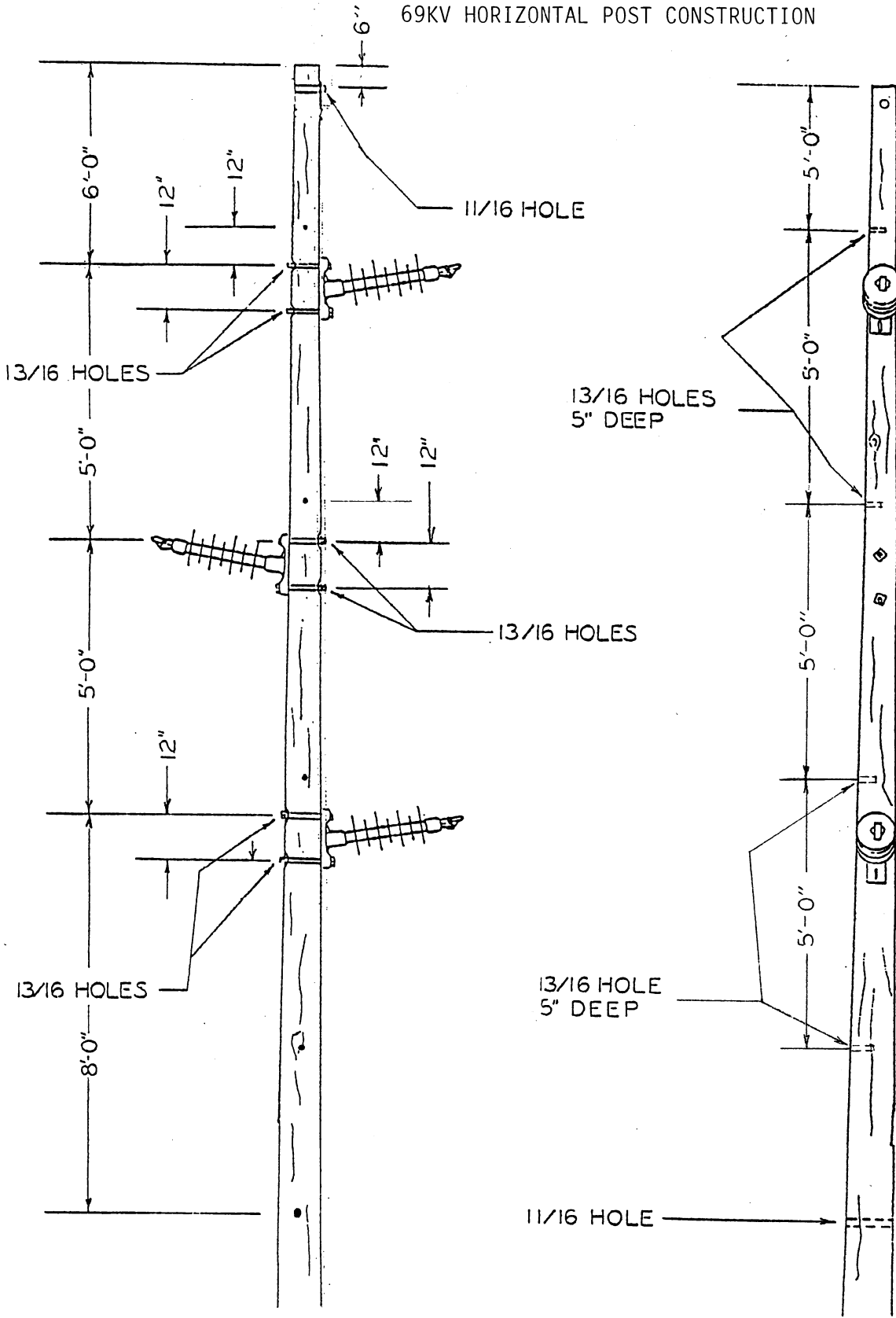


NORTHWESTERN WISCONSIN ELECTRIC COMPANY
69KV HORIZONTAL POST CONSTRUCTION

PSC REF#:119635

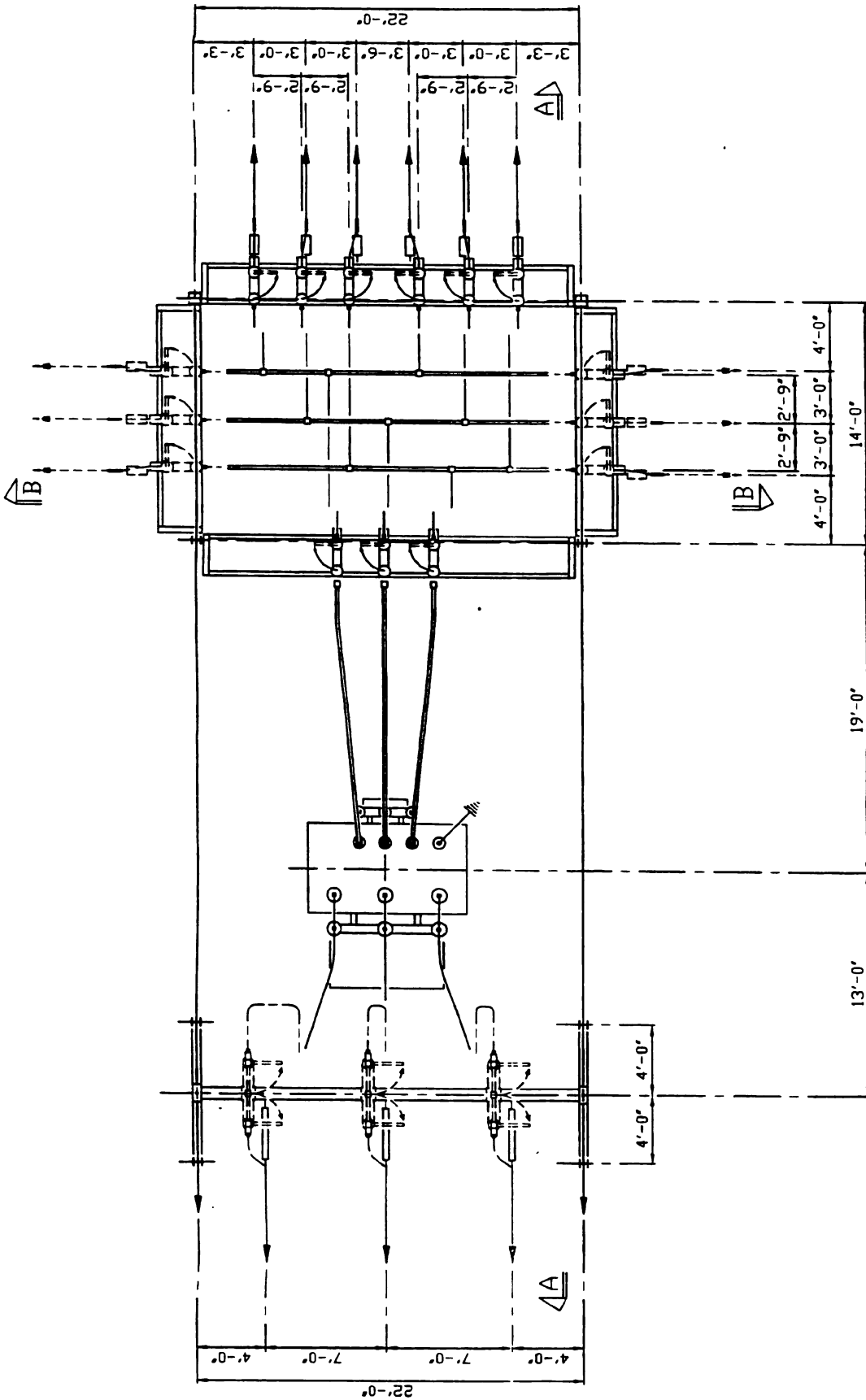


NO SCALE

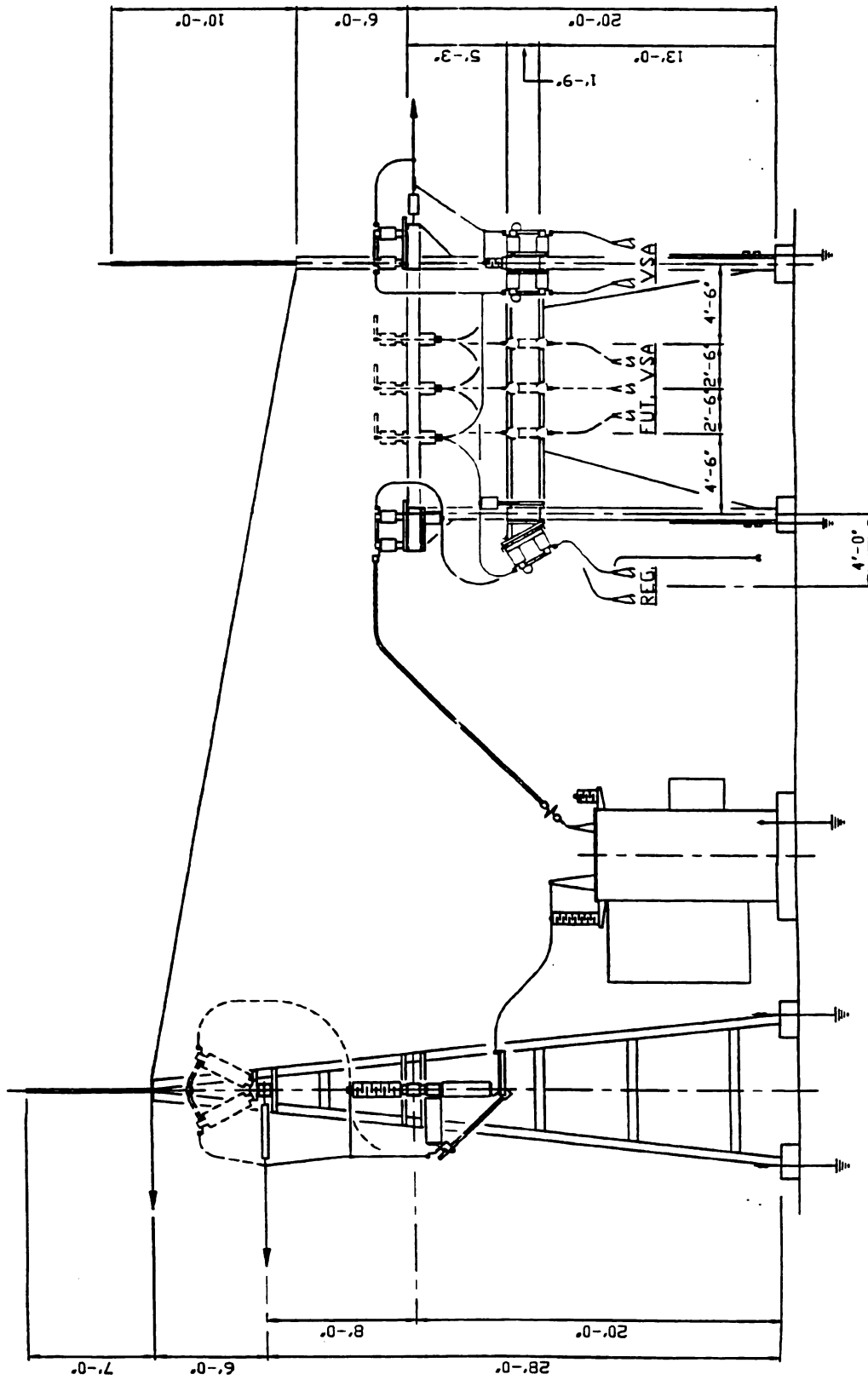
HP 1-R1

Appendix B Exhibit 1

Public Service Commission of Wisconsin
RECEIVED: 09/09/09, 3:58:30 PM



PLAN VIEW



ELEVATION "A-A"

7\07-17-07-69

ELECTRICAL CLEARANCES		LINE TO GROUND		SUSPENSION INSULATORS		
VOLTAGE	MINIMUM	MIN.	RECORDS	VOLTAGE	TYPE	NO. PER STRING
KV	KV	FT.	IN.	KV	IN.	

THE INFORMATION ON THIS DWG. IS
 AND IS NOT TO BE USED FOR ANY OTHER PURPOSE

November 13, 2008

Mr. _____, Chairman
Polk County Board
100 Polk County Plaza, Suite 170
Balsam Lake, WI 54810

Dear Mr. _____:

Northwestern Wisconsin Electric Company (NWE) is preparing to file an application at the Public Service Commission of Wisconsin (PSC) to receive permission to build a 69KV transmission line in Eureka and St. Croix Falls Townships and a distribution substation in the Village of Centuria. This project is necessary to support the existing load in the Village of Centuria and the surrounding area and handle any future load growth in the area.

The proposed route for the transmission line would be from Dairyland Power Cooperative's existing line in the Southeast corner of Section 14 of the East part of Eureka Township south along 190th St to 170th Ave in Centuria and then east to a substation to be built on property near the Centuria industrial park. Alternative routes include a parallel route on 200th St, a route north from US Highway 8 to Centuria, and a route west from Balsam Lake along County I and 170th Ave.

The transmission line would be built with wood poles 60-70 feet tall using horizontal post construction as shown in Attachment 1.

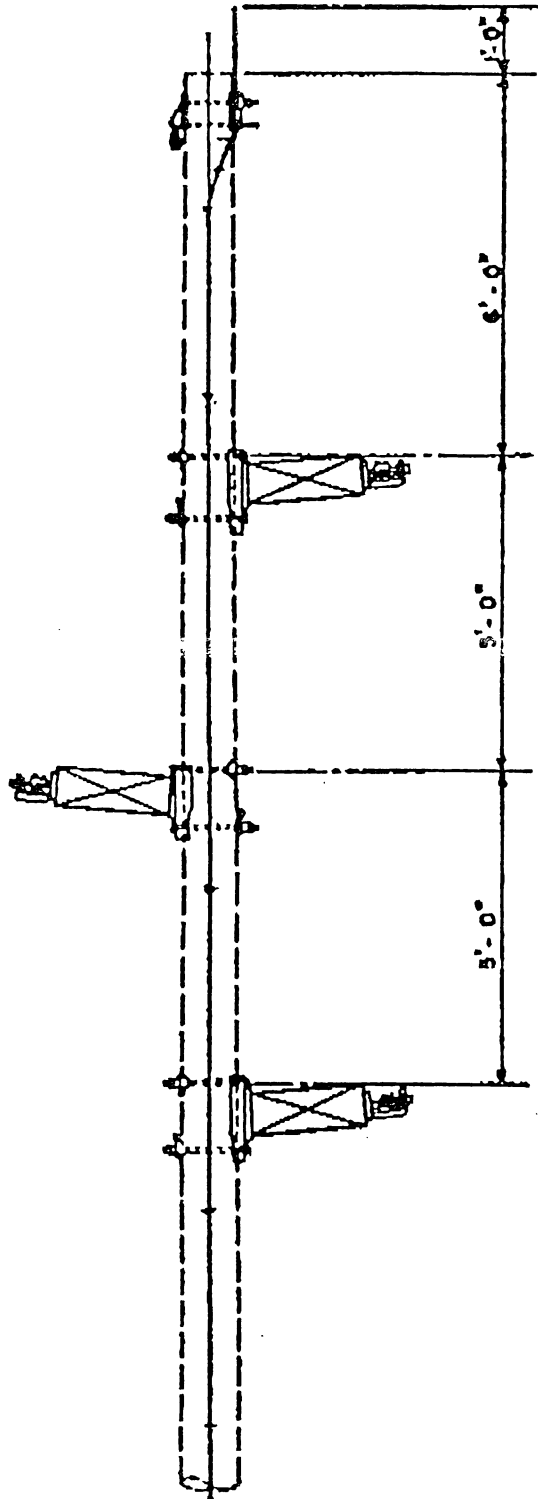
NWE is planning on filing its application for permission to construct this project on or after Monday December 1st, 2008. Please respond with any concerns or support you may have by this date. A copy of this letter along with your response will be included in the application. Any response received after the filing will be forwarded to the PSC. You may also contact me anytime with questions or concerns regarding this project.

Sincerely,

Northwestern Wisconsin Electric Company

David M. Dahlberg
Vice President

NORTHWESTERN WISCONSIN ELECTRIC COMPANY
69KV HORIZONTAL POST CONSTRUCTION



Appendix C Exhibit 2

**VILLAGE OF CENTURIA
CENTURIA MUNICIPAL ELECTRIC UTILITY
305 WISCONSIN AVE
BOX 280
CENTURIA, WISCONSIN 54824
715-646-2300**

November 26, 2008

Mr. David M. Dahlberg
Northwestern Wisconsin Electric Company
104 South Pine Street
PO Box 9
Grantsburg, WI 54840

Dear Mr. Dahlberg,

It is my pleasure to write a letter in full support of Northwestern's new 69KV transmission line in the towns of Eureka and St. Croix Falls and the distribution substation here in the Village of Centuria.

For well over 50 years, the Village has depended on Northwestern Wisconsin Electric Company to provide the power we need to serve our Municipal Electric customers. We are satisfied under current conditions. Our Utility can use close to capacity of what the current lines can carry. Presently, we are watching a company build a new production plant in our Industrial Park, which will use as much power as the whole Village currently uses, and possibly more. This new line will provide sufficient power, not only for our current load, but also the needs of our new factory and possible future growth.

We congratulate Northwestern Wisconsin Electric in their initiative to accommodate our growth. We are, and will continue to support all programs NWE feels necessary to provide the best service to our customers.

Sincerely,



Cheryl Lehman, President
Village of Centuria

VILLAGE OF BALSAM LAKE

P.O. BOX 506 404 MAIN STREET
BALSAM LAKE, WI 54810
715-485-3424 FAX 715-485-9339
Email: vobl@lakeland.ws


December 3, 2008

Northwestern Wisconsin Electric Company
104 South Pine Street
PO Box 9
Grantsburg, WI 54840-0009

Dear Mr. David M Dahlberg,

The Village Board of Trustees supports the building of a 69KV transmission line in Eureka and St. Croix Falls Townships and a distribution substation in the Village of Centuria. We understand that this project is necessary to support the existing load in the Village of Centuria and the surrounding area and to handle any future loan growth in the area.

Sincerely yours,

A handwritten signature in cursive script that reads "Guy Williams". The signature is written in black ink and is positioned below the "Sincerely yours," text.

Guy Williams
Village President



POLK • BURNETT

1001 State Road 35 • Centuria, WI 54824-9020
(715) 646.2191 • (800) 421.0283 • FAX (715) 646.2404 • www.polk-burnett.org

Branch Office: 7298 State Road 70 • P.O. Box 201 • Siren, WI 54872-0201

December 9, 2008

Dave Dahlberg, Vice President
Northwestern Electric Company
104 South Pine Street
Grantsburg, WI 54840-0009

Re: Proposed 69 kV Transmission Line to the Village of Centuria

Dear Dave,

Polk-Burnett was in receipt of your letter requesting comment on NWE's proposal to construct a new transmission line from a Dairyland 69 kV tap to Eureka, south along 190th Street to the Village of Centuria. On November 18th, 2008, I left a message for you requesting information on the proposed approach with regard to Polk-Burnett's existing facilities presently installed along 190th Street between the 69 kV tap and 190th Avenue. Polk-Burnett has an existing 1.0 mile 1 ϕ - 8A CWC line and a 1.0 mile #2 AL underground line. Our concerns are as follows:

1. Is NWE proposing to assume Polk-Burnett's existing corridors?
2. If yes, Polk-Burnett would like to discuss the need to convert its existing overhead facilities to underground to avoid any induced neutral current onto the underbuild conductors.

We will wait for additional forthcoming details on the project as it progresses. Please keep us informed. Thank you.

Sincerely,

POLK-BURNETT

Steven M. Stroshane, P.E.
System Operations Engineer

cc Joe Sobol – Operations Manger
Steve Glaim – General Manager

April 20, 2009

Mr. _____

Centuria, WI 54824

Dear Mr. _____,

Northwestern Wisconsin Electric Company (NWE) is preparing to file an application at the Public Service Commission of Wisconsin (PSC) to request approval to build a 4.3 mile 69KV transmission line in Milltown, Eureka, and St. Croix Falls Townships and a distribution substation in the Village of Centuria. This project is necessary to support the existing load in the Village of Centuria and the surrounding area and handle any future load growth in the area.

The proposed route for the transmission line would be from Dairyland Power Cooperative's existing transmission line at the intersection of 210th Avenue and STH 35 in Milltown Township. The line would be built south on the east side of STH 35 to the corner where the highway turns to the southwest and 180th Street continues south. At this point, the line would cross to the west side of 180th Street and continue south until reaching 170th Avenue. The line would then turn west along the south side of 170th Avenue to the substation. The route maps are attached and labeled as Appendix A, Figure 10.

The transmission line would be built with wood poles 60-70 feet tall using horizontal post construction as shown in Appendix B. NWE proposes to obtain a total Right-of-Way width of 80 feet, 40 feet on each side of the line. The line would be built 1 foot behind the edge of the road Right-of-Way. This private Right-of-Way would be acquired from the property owners. The acquisition would not be a purchase of property, but rather the purchase of an easement for the power line construction, maintenance, and access.

Much of the proposed route already has distribution lines present. These existing lines would be moved onto the transmission line poles as distribution underbuild or would be buried along the route on the opposite side of the road.

The substation would be a steel station with a fenced in area of approximately 95 feet by 85 feet. It would also have a gravel driveway built around it and would be located on 5 acres of Village of Centuria industrial park property in the Northeast ¼ of the Northwest ¼ of Section 12 of St. Croix Falls Township.

NWE has hired Natural Resources Consulting (NRC) of Rice Lake, Wisconsin to assist us in evaluating the environmental impacts of the project and in preparing the application. Over the next several weeks, both NWE and NRC employees will be in the area and

possibly on your property to evaluate this route and prepare the application. We will not access your property beyond our existing easements without first receiving permission from you to do so.

A project of this size requires that the PSC issue a Construction Authorization before NWE can proceed. A public hearing is not required for this project. NWE is willing to hold informal public meetings on this project if anyone desires it. The purpose of the public meeting would be to explain the project and receive property owner input prior to NWE submitting our application. Please let me know if you would like an informal public meeting to be held regarding this project. Any questions regarding the PSC's involvement in this project and their review process may be directed to Paul Rahn at the PSC. All other questions regarding this project may be directed to me. Our contact information is as follows.

Paul Rahn, Environmental Analyst
Wisconsin Public Service Commission
610 N. Whitney Way
PO Box 7854
Madison, WI 53707-7854
608/267-8967
paul.rahn@psc.state.wi.us

Dave Dahlberg
Northwestern Wis. Electric Company
104 S Pine St
PO Box 9
Grantsburg, WI 54840
715/463-5371
davedahlberg@nweco.com

Please feel free to contact us with any questions.

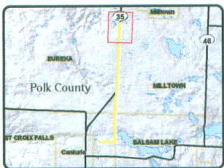
Sincerely,

David M. Dahlberg
Vice President



Appendix A Figure 10 - Page 1 of 5

NWE APPENDIX A FIGURE 10 - ENVIRONMENTAL FEATURES and ACCESS PLAN
 Centuria 69 kV Transmission Line and Substation Project



Location
 Parts of S19 and S30-31, T35N, R17W;
 S36, T35N, R18W; S1 and S12, T34N, R18W
 Polk County, WI

Project Information
 Project Number : 009-0015-01
 March 3, 2009

Legend	
	Project Centerline
	80 ft Project ROW
	Approx. Substation Location
	Existing DPC 69kV Line K-228
	WI Wetland Inventory Data
	Municipal Boundary
	Township Line
	Section Line
	DNR 24k Hydrography
	Perennial Stream
	Intermittent Stream
	Waterbody
	NRCS Soil Survey Data
	Hydric Soil
	Poss. Hydric Inclusion
	Non-Hydric Soil

Mapping Provided By:
NRC
 Natural Resources Consulting, Inc.
 209 Commerce Parkway
 P.O. Box 128
 Cottage Grove, WI 53527-0128
 phone: 608-839-1998
 fax: 608-839-1995
 www.nrcd@comcast.com

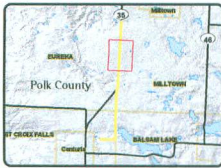
The information presented on this map document is advisory and is intended for reference purposes only.



Appendix A Figure 10 - Page 2 of 5



APPENDIX A FIGURE 10 - ENVIRONMENTAL FEATURES and ACCESS PLAN Centuria 69 kV Transmission Line and Substation Project



Location
Parts of S19 and S30-31, T35N, R17W;
S36, T35N, R18W; S1 and S12, T34N, R18W
Polk County, WI

Project Information
Project Number : 009-0015-01
March 3, 2009

DRAFT

Legend

- Project Centerline
- 80 ft Project ROW
- Approx. Substation Location
- Existing DPC 69kV Line K-228
- WI Wetland Inventory Data
- Municipal Boundary
- Township Line
- Section Line
- DNR 24k Hydrography
- Perennial Stream
- Intermittent Stream
- Waterbody
- NRCS Soil Survey Data
- Hydric Soil
- Pass. Hydric Inclusion
- Non-Hydric Soil

Mapping Provided By:

NRC
Natural Resources Consulting, Inc.

209 Commerce Parkway
P.O. Box 128
Cottage Grove, WI 53527-0128
phone: 608-839-1998
fax: 608-839-1995
www.nrcdill.com



Appendix A Figure 10 - Page 3 of 5



**APPENDIX A FIGURE 10 - ENVIRONMENTAL FEATURES and ACCESS PLAN
Centuria 69 kV Transmission Line and Substation Project**



Location
Parts of S19 and S30-31, T35N, R17W;
S36, T35N, R18W; S1and S12, T34N, R18W
Polk County, WI

Project Information
Project Number : 009-0015-01
March 3, 2009

Legend	
Project Centerline	DNR 24k Hydrography
80 ft Project ROW	Percennial Stream
Approx. Substation Location	Intermittent Stream
Existing DPC 69kV Line K-228	Waterbody
WI Wetland Inventory Data	NRCS Soil Survey Data
Municipal Boundary	Hydric Soil
Township Boundary	Poss. Hydric Inclusion
Section Line	Non-Hydric Soil

Mapping Provided By:

NRC
National Resources Consulting, Inc.
200 Commerce Parkway
P.O. Box 128
Cottage Grove, WI 53527-0128
phone: 800-826-1998
fax: 608-826-1995
www.nrcdfe.com



Appendix A Figure 10 - Page 4 of 5



APPENDIX A FIGURE 10 - ENVIRONMENTAL FEATURES and ACCESS PLAN Centuria 69 kV Transmission Line and Substation Project



Location
Parts of S19 and S30-31, T35N, R17W;
S36, T35N, R18W; S1 and S12, T34N, R18W
Polk County, WI

DRAFT

0 200 400 Feet

Project Information
Project Number : 009-0015-01
March 3, 2009

Legend	
	DNR 24k Hydrography
	Perennial Stream
	Intermittent Stream
	Waterbody
	NRCS Soil Survey Data
	Hydic Soil
	Poss. Hydric Inclusion
	Non-Hydric Soil

Mapping Provided By:

NRC
Natural Resources Consultants, Inc.
209 Commerce Parkway
P.O. Box 128
Cottage Grove, WI 53527-0128
phone: 608-838-1958
fax: 608-838-1995
www.nrcdfi.com

The information presented on this map is assumed to be accurate and is intended for reference purposes only.



Appendix A Figure 10 - Page 5 of 5

NWE APPENDIX A FIGURE 10 - ENVIRONMENTAL FEATURES and ACCESS PLAN
 Centuria 69 kV Transmission Line and Substation Project



Location
 Parts of S19 and S30-31, T35N, R17W;
 S36, T35N, R18W; S1 and S12, T34N, R18W
 Polk County, WI

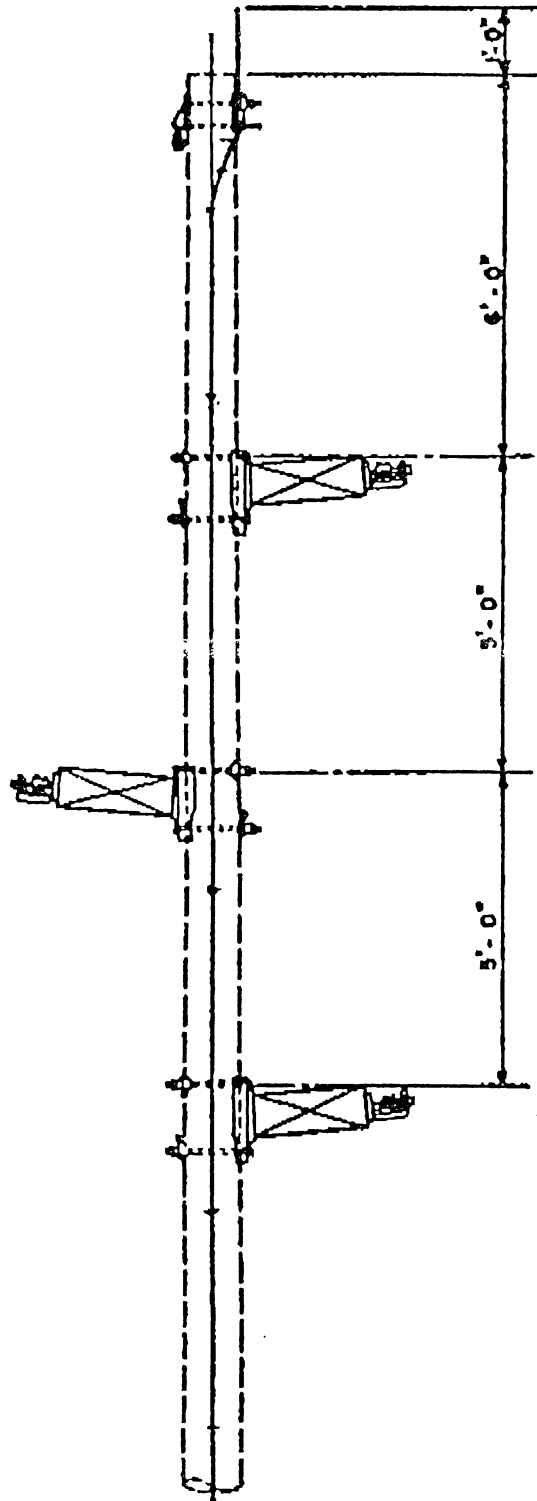
Project Information
 Project Number : 009-0015-01
 March 3, 2009

- Legend**
- Project Centerline
 - 80 ft Project ROW
 - Approx. Substation Location
 - Existing DPC 69kV Line K-228
 - WI Wetland Inventory Data
 - Municipal Boundary
 - Township Line
 - Section Line
 - DNR 24k Hydrography
 - Perennial Stream
 - Intermittent Stream
 - Waterbody
 - NRCS Soil Survey Data
 - Hydric Soil
 - Pass. Hydric Inclusion
 - Non-Hydric Soil

Mapping Provided By:
NRC
 Natural Resources Consulting, Inc.
 209 Commerce Parkway
 P.O. Box 128
 Cottage Grove, WI 53527-0128
 phone: 608-839-1998
 fax: 608-839-1998
 www.nrcwi.com

All information presented on this map document is advisory and is intended for reference purposes only.

NORTHWESTERN WISCONSIN ELECTRIC COMPANY
69KV HORIZONTAL POST CONSTRUCTION



July 8, 2009

Mr. _____

Centuria, WI 54824

Dear Mr. _____,

Northwestern Wisconsin Electric Company (NWE) is preparing to file an application at the Public Service Commission of Wisconsin (PSC) to request approval to build a 4.4 mile 69KV transmission line in Milltown, Eureka, and St. Croix Falls Townships and a distribution substation in the Village of Centuria. This project is necessary to support the existing load in the Village of Centuria and the surrounding area and handle any future load growth in the area.

The proposed route for the transmission line would be from Dairyland Power Cooperative's existing transmission line at the intersection of 210th Avenue and STH 35 in Milltown Township. The line would be built south on the east side of STH 35 to the corner where the highway turns to the southwest and 180th Street continues south. At this point, the line would cross to the west side of 180th Street and continue south until reaching 170th Avenue. The line would then turn west along the south side of 170th Avenue to the substation.

An alternative route has been identified in which the line would continue down the east side of STH 35 all the way into the Village of Centuria until it reaches 170th Avenue. The line would then turn east along the south side of 170th Avenue to the substation.

The transmission line would be built with wood poles 60-70 feet tall using horizontal post construction. NWE proposes to obtain a total Right-of-Way width of 80 feet, 40 feet on each side of the line. The line would be built 1 foot behind the edge of the road Right-of-Way. This private Right-of-Way would be acquired from the property owners. The acquisition would not be a purchase of property, but rather the purchase of an easement for the power line construction, maintenance, and access.

Much of the proposed route already has distribution lines present. These existing lines would be moved onto the transmission line poles as distribution underbuild or would be buried along the route on the opposite side of the road.

The substation would be a steel station with a fenced in area of approximately 95 feet by 85 feet. It would also have a gravel driveway built around it and would be located on 5 acres of Village of Centuria industrial park property in the Northeast ¼ of the Northwest ¼ of Section 12 of St. Croix Falls Township.

A project of this size requires that the PSC issue a Construction Authorization before NWE can proceed. A public hearing is not required for this project. NWE is holding a informal public meeting on this project next Tuesday July 14th at the Village of Centuria offices from 4-6pm. The purpose of this meeting is to explain the project and receive property owner input prior to NWE submitting our application.

Any questions regarding the PSC's involvement in this project and their review process may be directed to Paul Rahn at the PSC. All other questions regarding this project may be directed to me. Our contact information is as follows.

Paul Rahn, Environmental Analyst
Wisconsin Public Service Commission
610 N. Whitney Way
PO Box 7854
Madison, WI 53707-7854
608/267-8967
paul.rahn@psc.state.wi.us

Dave Dahlberg
Northwestern Wis. Electric Company
104 S Pine St
PO Box 9
Grantsburg, WI 54840
715/463-5371
davedahlberg@nweco.com

Please feel free to contact us with any questions.

Sincerely,

David M. Dahlberg
Vice President

Dave Dahlberg

From: Dave Dahlberg [davedahlberg@nweco.com]
Sent: Monday, May 04, 2009 5:06 PM
To: 'treenut2k@gmail.com'; 'paul.rahn@psc.state.wi.us'
Cc: Olson, Dan
Subject: RE: NWE Transmission Line Project.

Mr. Baker,

Thank you for your input and questions regarding this project. I have some answers for you and will have more answers shortly, but I thought I should respond now.

Regarding the additional right-of-way that we require, you presently have a distribution line along your property so we do not require an ADDITIONAL 40'. We only need to widen the existing ROW to a total of 40' on each side of the line. Dan Olson will be looking at our existing ROW and let me know how that impacts you.

Concerning your rental property, you presently have an existing three-phase distribution line in front of your property. This distribution line is built with 40' tall poles which are set 6' deep and spaced 225' to 275' apart. The new poles that replace the distribution line will be 65' and 70' tall poles and are set 8.5' and 9' deep, respectively. So the new poles will be 27' higher than the existing distribution poles. The new transmission poles will be spaced 300' to 325' apart, similar to the existing line.

Lastly, concerning the route, this route was chosen because it comes straight south from the interconnection point at Hwy 35 and 210th Ave and then turns west on 170th Ave to the substation location. If we follow Hwy 35 into the Village of Centuria we would go further west and then turn east on 170th adding at least 3/4 of a mile to the project.

I hope this answers at least part of your concerns. As I said, I will know regarding additional ROW on your property in the next couple of days and will let you know.

Feel free to email with any additional questions.

Dave Dahlberg

-----Original Message-----

From: Stuart Baker [mailto:treenut2k@gmail.com]
Sent: Monday, May 04, 2009 12:05 PM
To: davedahlberg@nweco.com; paul.rahn@psc.state.wi.us
Subject: NWE Transmission Line Project.

Dave Dahlberg,
Paul Rahn,

Thank you for the letter describing the 69KV transmission line proposal being considered for Polk County. I have some questions and concerns about this project and I wonder if one, or both, of you could help. According to your letter my land is Parcel ID #: 44000050000. We are just north of the intersection of 180th st and 170th ave. We own two 40 acre lots that will be directly effected by 1/2 mile of this project.

We are currently establishing a perpetual forest of high-value hardwood as an agricultural crop (alternative to corn/beens/etc) on this land. We began this business fifteen years ago and look forward to our first harvest (thinning our cover crop of pine) within the next 10 - 15 years. Most agricultural businesses can raise crops under those lines and continue to derive an income even with the easement. Since our crop is trees we cannot hope for this. And because we have that land enrolled in Forest Tax Law and CRP we are severely restricted in the crop we can raise. Our forest plan (filed with the state) calls for the

establishment and maintenance of a high-value hardwood timber stand with an intermediate conifer "cover" crop.

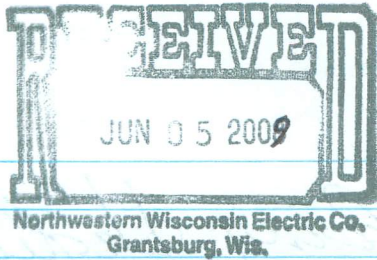
I'm trying to determine the impact this will have on our business. You will need an additional 40 feet of our land for the right-of-way for you lines. Our trees (Pine and Oak) will easily grow 100 feet tall and require at least 50 feet of space when they are nearing maturity. Based on our experience with current power lines, you will prune back anything that extends over your easement which means we cannot plant within 90 feet of your lines. This will effectively take over 5 acres of land out of production. This might not seem like a lot but it's 9% of our cropland; which translates to lost income for the duration of the easement. (We have lost nearly 3 acres to a gas line easement that my father approved when he was in the dairy business -- again, not a concern when you're raising alfalfa -- so we have first-hand understanding of the impact these easements have on our business.)

Second, we currently rent our house located across from Long Lake. We have found this house to be particularly valuable to perspective renters based on it's location and the aesthetic appeal derived from the beautiful view overlooking the lake and the surrounding valley. In Madison, we currently live within 200 feet of an identical power line and it definitely has a visual impact. We are very concerned that this line will have a negative impact on the rental value of this house (especially in these difficult times).

I have discussed this with our neighbors, who live along the proposed route, and they are extremely concerned with both the aesthetic and health impact of having such a line so close to their homes. And we don't understand why you have decided to take the long way around to your destination when a straight shot down STH 35 to Centuria would seem to make more sense. I wonder if a public meeting may be useful for explaining the rational and exploring potential alternatives.

Thank you for your time and I look forward to your reply. I wasn't sure which one of you to talk to about this so I am asking you both.

Sincerely,
Stuart Baker



May 27, 2009

Parcel ID #
44000310000

Robert & Penny Hoglund
1719 180th St.
Centuria, WI 54824

Attention NWWEC / DAVE DAHLBERG,

In regards to the 69KV Transmission
Line from Milltown to Centuria:

As private property owners at said location,
we are very concerned about this proposal
to run down 180th St southbound on the
west side of St. to 170th Ave & going west to
substation project.

We are not in favor of this project, at
least not on our street. (180th St. South)

Powerlines of this magnitude are not conducive
to our little farm community where we have
several homes & families with children,
pets & small farm operations all of which
will be affected by this project one way
or another.

We live close enough to the road to where we
don't feel safe & free from any health
hazards & risks these powerlines can
produce.

We feel that Hwy 35 would be a better
route to run this line with less
homes & families to be affected.

An informal public meeting would be
good to get everything out on the table.

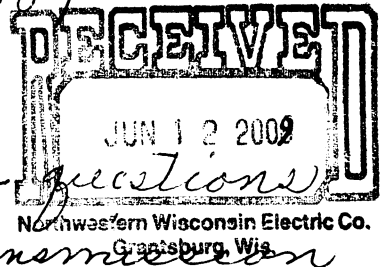
Sincerely,

Bob + Penny Hoflund

1719 180th St.

Centuria, WI

June 2, 2009



Mr. Dahlberg,

Thank you for answering our questions regarding the proposed 69,000 KV Transmission lines going past our homes on 180th St. and 170th Ave to Centuria. Although my letter is long, I trust you will read it.

We have several concerns, one being safety issues of the electromagnetic field with many of our homes only 100 ft or less from these Hi-Volt lines. There are 19 homes, at least 14 children, plus a day care center along this route. Our town road is only 22 ft wide with little or no ditches.

A safer route would be State Road 35 to 170 Ave. in Centuria with its wide ditches, shoulders and road bed and few homes. It is a short distance further, not $\frac{3}{4}$ mile as originally thought. Hi-Volt lines run along St. Hwys. like 35 and 46, not town roads.

You stated electromagnetic fields are greatly reduced 75 ft. from Hi-Volt transmission lines. Our lawns where children play are within 45 ft. This is troubling because of the reports that state there is no positive proof whether they do or do not, cause childhood leukemia, cancer and other health problems, within such close proximity to these lines. We live here everyday. The transmission lines will be forever.

Also, you told me of a Swedish study where telephone workers worked around Hi Voltage electricity with no apparent problems, but they

work in these areas for short periods of time. We live here 24 hours a day and as I already stated, the Hi Volt lines will be for always.

At the present time, 180th St and 170 Ave. have 12,400 volt lines. An increase to 69,000 volts is almost 6 fold more powerful. This could greatly increase the health risks.

According to our conversation, you said this area didn't need more electricity for 2 to 3 years, but the proposed pellet plant in the Centuria Industrial Park sped up the process. This pellet plant is having serious financial problems. Why wasn't the enormous price tag for getting electricity into this business, which the owners must bear, settled before they started to build? There are no jobs, as anticipated, either.

This being said, during these severe financial times it would be more appropriate to shelve this project until the pellet plant becomes a reality, if ever.

This project comes with an enormous price tag, which will impact all NWE customers. Northwestern Electric already has a huge project to Balsam Lake via Hwy 46 and Hwy 8 Centuria and St. Croix Falls both have 69,000 KV power, at the present time. Another 69,000 KV seems unrealistic.

Mr. Baker, who has a tree farm along 180th St. would like to see the route changed along with a lot of our neighbors.

You, also, mentioned an alternate route to Centuria, via the trees and woods away from homes & roads, as they do along 210 Ave. by Milltown and Hwy 48 by Luck. Or coming into Centuria

3 from the West side of Hwy 35 where the present lines have been for years. Please consider these ways, as well. Although expensive, for safety's sake, has underground lines been considered?

Paul Rahn from the Public Service Commission stated, because of severe storms, a separate line into Centuria was appropriate. With your proposed 60 to 70 ft. poles and our close proximity to these poles, the Hi-Volt lines would land ~~on~~ our yards and on the road bed, should a pole break. The poles are on the West side of the road. Wind storms come in from the West, So. West. This is a safety issue, as well.

God forbid, if anyone along this proposed line should get childhood leukemia, cancer or other health problems, with the electromagnetic field so close to our homes, did they cause our illnesses? Would you want these possible health hazards by your children or grand children's homes?

I have talked to several neighbors who are very concerned, as well. With busy lives, it doesn't always get written on paper, so I am writing for them, too.

Thank you for your time and consideration. I rest assured you will have the best interest of our neighborhood at hand.

Please contact ~~us~~ if you have any questions.

715-646-2226

Kind Regards,
Deanne Hoffman
Richard Hoffman
1744 180th St.
Centuria, WI 54824

(Enc)

Another letter follows.

P.S. Reports state 600 ft from Hi-Volt lines is a safe distance. We are not.
P.S.S. Please forward to Paul Rahn, Environmental Analyst.

June 8, 2009

Mr. Dahlberg,

Dan Olson, your NWE supervisor stopped June 3. He said he was going to check a route for your transmission lines from Hwy 35/180th junction via the pastures & woods to Centuria's Sewer plant, then on to your proposed substation. We hope he pursues this vigorously as it is the closest route and away from homes and families.

He also stated, your original plan was to use the present route into Centuria on the west side of Hwy 35 with few homes. Because Centuria village offered 5 free acres of land on the East side by the industrial park, you chose 180th St. though we have 19 homes. A close proximity to the lines because 180th St was closer. The mileage difference is small.

We checked 4 GPS systems and odometers.

- 180th St to 170 Ave to substation 2.2 miles
- Hwy 35 to 170th Ave to substation 2.4 miles
(180th St junction)
- 210th Ave via 35 to 180th St & 170 Ave. to substation (proposed) 4.2 miles
- 210th Ave via 190th St to 170 Ave to substation (original plan till you received 5 free acres) 4.4 miles.

Mr. Olsons foot mileage meter must be incorrect, as these GPS + odometer readings prove. Your wisest choice, in these severe financial times, would be to shelve this project as the need isn't here, without the proposed pellet plant. Just finish your other projects.

Our ancestors signed easements

to N.W.E. for low voltage electric lines, not 69,000 KV. Are you abusing our rights, who live so close to your proposed transmission lines?

We would hope that safety and peace of mind of your customers would take precedence over money, 5 acres of land and a small mileage difference in routes.

We hope you will come to our neck of the woods and check for yourself. You will understand our concerns, Bring your GPS meter, too.

Kind Regards,
Deanne Hoffman
Richard Hoffman
1744 180th St.
Centuria, WI 54824
715-646-2226

P.S Another neighbor and we were omitted from your original mailing list of April 21. We received our letter mid May and only because of a neighbors concern. This letter was, also, delayed, because of ^{the} time difference.



1744 180th St. Centuria, W, 54824
Proposed transmission line to
our home: 100 ft.
Proposed transmission line to
lawn: 45 ft



Day Care, on 180th St. Very close to proposed transmission lines.



EMF – Electric & Magnetic Fields

January 2008

Commission Activity

Orders to the Wisconsin utilities

Since 1989, the Commission has periodically reviewed the science on EMF and has held hearings (as part of its Advance Plan process)⁶³ to consider the topic of EMF and human health effects. The most recent hearings on EMF were held in July 1998. As a result of these hearings, the Commission has ordered Wisconsin utilities to:

- Contribute to the national EMF research effort.
- Provide information to the public on EMF, perform EMF measurements for customers upon request, and develop (with Commission staff guidance) a uniform EMF measurement protocol.
- Evaluate and include information on how magnetic fields differ for alternative power line configurations in construction applications.
- Consider the number of persons exposed to EMF along proposed transmission line routes and the intensity and duration of exposure.
- Submit a list of homes, workplaces, hospitals, nursing homes, day-care centers, and schools near proposed and alternate transmission line routes.

Certification requirements for construction projects

Magnetic field estimates for proposed utility projects

A utility must provide information on EMF when it applies to the Commission for permission to build a transmission line. Each application must include estimates of the magnetic field created by the proposed new line. Utility engineers calculate the EMF for any given voltage, pole design, and current flow based on criteria established by Commission staff.

The Commission requires utilities to provide information about the types of buildings along any route: residences, hospitals, nursing homes, day-care centers, schools, and workplaces. In its application, a utility must report the number and type of buildings within 300 feet of a proposed centerline. EMF fields also calculated out to a minimum of 300 feet. In situations where a proposed line would replace an existing line or be built as a double circuit with an existing line, the utility is also required to provide estimates of the magnetic fields that are being produced by the existing facility. During the review process, Commission staff calculates the changes in EMF levels likely to occur as a result of the new line. Estimates are created for a new line using

⁶³ Change to Wis. Stat. 196.41 passed by the Legislature in 1997 eliminated the Advance Plan process.

the expected loads (current flow) at the time the line would go into service and for estimated loads ten years in the future.

Commission staff checks the utility's calculations of the estimated magnetic fields and then analyzes each route for potential exposure to magnetic fields. This information is then provided to the public and considered in route selection decisions made by the Commission. When selecting transmission line routes, the Commission seeks to balance environmental and social impacts with need, performance, and cost.

For Further Information Contact

Public Service Commission of Wisconsin
P.O. Box 7854
Madison, WI 53707-7854
(608) 266-5481
TTY: 608-267-1479
Fax: 608-266-3957
<http://psc.wi.gov>



STATE OF WISCONSIN
PUBLIC SERVICE COMMISSION OF WISCONSIN

PAUL R. RAHN
ENVIRONMENTAL ANALYST
ELECTRIC DIVISION

610 N. WHITNEY WAY
P.O. BOX 7854
MADISON, WI 53707-7854
<http://www.psc.wi.gov>

TEL: (608) 267-8967
FAX: (608) 266-3957
paul.rahm@psc.state.wi.us

*Many of our homes & the day
care center are much closer than
300 ft as your utility Co is
required to disclose.*

1/2008

Dave Dahlberg

From: salarsen69@netscape.net
Sent: Monday, June 15, 2009 2:32 PM
To: davedahlberg@nweco.com
Subject: Transmission line & my husband and I would like to meet

June 15, 2009

Dave Dahlberg
Northwestern Wisconsin Electric Company
104 S Pine St
PO Box 9
Grantsburg, WI 54840

Dear Mr. Dahlberg:

RE: High voltage transmission line and the route proposed. Also power usage issues.

I am Stephanie Larsen and along with my husband, Jerry, we co-own and operate Wis-Lar Farms, Inc. I am wondering about the proposed route and have not been able to talk with you or your answering machine since it cuts myself off all the time. As a farm operator, we are wondering if this proposed line will also give us the benefit of 3-phase power instead of two. Jerry and I would also like to talk with you about our power issues. It seems that it does not matter if we milk cows or not but the power bill remains the same or increased. I know as a home owner that if you were placed in this same situation you would like to know where the power is being used and for what. We have 3 houses and run the one silo once a day, this is by far less than what the farm used to use for power. Our family is looking for an honest reply without any political inclinations.

I would ask that you please contact me when you return to the office. I have called back and also left my cell phone number with your secretary, Bonnie. We hope to hear from you soon. If you would like, Jerry and I would not mind meeting you in your office, but I feel a farm visit will give everyone the best benefit. Until I hear from you, have a good day.

Sincerely,

Stephanie Larsen
SALarsen69@netscape.net
715-553-0259

PS How was your lunch. Would like advice on new location to try.

Make your summer sizzle with [fast and easy recipes](#) for the grill.

8/26/2009

Dave Dahlberg

From: Stuart Baker [treenut2k@gmail.com]
Sent: Wednesday, June 17, 2009 12:10 PM
To: davedahlberg@nweco.com
Cc: paul.rahn@psc.state.wi.us
Subject: Re: NWE Transmission Line Project.

Dave,

First of all, thank you for your response to my last email. I was waiting for further word on how much more space for the right of way (ROW) this line would require in our fields. Dan Olsen met with us and we had a nice discussion about this line and some of the issues and some of our concerns. (Please pass along my appreciation to Dan for taking time to meet with us.)

From Dan's site evaluation, it appears that we will lose at least one row of trees to the new ROW. This is not a trivial loss because if you figure 50 feet between trees (mature plantation) we could lose over 50 trees along the length of this ROW on our property. This may not seem like much but when you figure the value of the trees over the life of the crop the future losses to our business will be significant.

We are also concerned about the proximity of this line to our home (both the house we are renting and a new home we are planning to build on that property now that I have retired). Dan has assured us that the electro-magnetic radiation from the line will be less than what we receive from the use of common household appliances but the radiation from the line is continuous and constant (at least the electric field component). Although research has indicated that these exposure levels present minimal health risk to humans the studies are inconclusive and cannot test all conditions and combinations of contributing factors that may be present in this area.

As I have stated before, we are concerned with the aesthetics of having these larger poles and thicker wires placed between our house and the lake (Long Lake). Our current house (rental) and our future home are now considered to be lake front property (within 1000 feet of a lake shore). Taxing and zoning groups have recognized that there is an added aesthetic value that is derived solely from the view of a lake that is afforded by this proximity. This affects the taxes we pay and the restrictions we have to follow when building and managing our property. I do not believe the government will relax our restrictions or lower our taxes in consideration for this obstruction to the view of "our" lake front. I have discussed this with our neighbors, who will also have their lake front views affected by this line, and they are equally concerned.

After talking with Dan, we are aware of some other available routes for this line that are actually shorter and/or affect significantly fewer property owners, home owners, and businesses (farms and Day Care centers). Dan was enthusiastic about exploring some of these possibilities. One alternative reduces the number of homes it passes from 17 (with one Day Care Center) to 2 while adding less than 1/2 mile to the distance. The other suggested alternative route reduces the affected homes from 17 to 1 and actually reduces the distance of the line by taking it straight across the section instead of following either the state highway or county roads.

Finally, I really don't understand the necessity for this new line at this time and under the current economic downturn (recession?) facing this area. The stated urgency for this line was to; "...support the existing load in the Village of Centuria and the surrounding area and handle any future load growth in the area." It is my understanding that Centuria is currently supplied with 69KV power. St. Croix Falls is a much larger community and it only has 69KV of power. Why does Centuria need 69KV more than St. Croix Falls? In addition; the cost of this new power line will be passed on to all customers in the area through higher rates for power we currently use. It seems to me that your asking us all to gamble money from our decreasing pay checks on the possibility that there will be any "future load growth" in the area when we are already paying for more than enough power

transmission capacity to handle our current load. We are all aware that part of the underlying urgency for this line was to help power the Pellet Plant that was being constructed in the Centuria Industrial Park. Success of this plant was never dependent on the availability of this new power and construction of this plant is currently on hold (for other reasons), and by all accounts will probably never be completed.

I know we depend on electric power for all of the things we do each day, and with the decreasing availability of petroleum we MAY depend on it more in the future. We all appreciate the great work the power companies do to get that power to us dependably. But with the way the world economy is going -- and the way our personal 'economies' are effected --

we may be not be able to afford as many 'things' that need to be powered and our reliance on ALL power will decrease dramatically. For these reasons this project is too much of a gamble with very low odds for any payback in the foreseeable future.

I look forward to hearing from you. Please let me know how things are progressing. Thanks again for your time and attention.

Sincerely,
Stuart Baker

June 22, 2009

Docket # 4280 CE 106 PSC

Mr. Dahlberg.

In our telephone conversation of June 17, you stated you are considering an alternative route to NWE proposal to the PSC for your 69,000 KV Transmission lines to Centuria. We along 180th St + 170 Ave. would be very pleased and relieved.

Because you said our letters, E-mails + petitions would make a difference, we have been very diligent. Everyone does not feel comfortable writing a letter, so our petition is very important. Petition with over 30 names to follow. Still can't catch everyone at home.

Dan Olson, NWE area manager, also, has been diligently working on your alternative route following St. Hwy 35 via the Centuria sewage treatment plant to your proposed sub-station on 170 Ave. This route is a safer, shorter route and we were told only one home. A great route considering 180th St and 170 Ave. have 19 homes, 14 plus children, a child care center, 2 home offices and Mr Bakers tree farm.

If you are concerned with your workers safety, as you stated, why does your original proposal to the P.S.C. consist of over 2 miles along St. Hwy 35 from 210 Ave. Following St. Hwy 35 a short distance further to the shortcut to the Centuria sewage treatment plant should not be an issue.

St. Hwy. 35 has expansive ditches, wide shoulders and wide road beds vs 180th St and 170 Ave. with its hills and valleys, narrow ditches and 22 ft road bed plus high traffic volume and no respect for some drivers to obey speed limit. (see photos encl.) An accident

waiting to happen for your NWE workers.

Most hi-volt transmission lines follow state highways including NWE's route to Balsam Lake, Wis via Sts Hwy 46.

To clarify a statement on our petition, one of the alternative routes suggested, follows Hwy 35 to 170 ave. in Centuria to NWE substation. You claim it is 6/10 of mile further ~~than~~ 180th St/170 ave route. Our GPS + odometer showed 2/10 to 3/10 mile difference; but distance for NWE shouldn't matter in this issue that affects so many people + homes.

Did you realize that 2 residences have NWE lines close to their homes on 2 sides at present time? Your present lines run East/West along 175th Ave. to 180th St. then turn So. on 180th St. to Centuria.

These homes include: 1744 180th St. (our home) (Photos
and 1752-6 180th St. - Child Care Center (enc.

We are concerned with this issue, as well, because of close proximity to proposed 69,000 KV trans. lines

Please follow through with your alternative route/routes to the P.S.C.. We as NWE customers should have a say in this very important matter..

We hope the Public Service Commission realizes our concerns as well. After all they are suppose to look out for our safety.

Please reply,

Kind Regards,
Deanne Hoffman
~~Richard Hoffman~~
1744 180th St.
Centuria, WI 54824
715-646-2226

(Photos Enc.)

P.S. Transmission lines diminish home values, as well.
P.S.S. Please forward to Public Service Commission



1744 180th St. @ Cent

Proposed transmission
our home: 100 ft

Proposed transmission
our lawn: 45 ft

Photo shows junct
power lines:

175th Ave East/West

200 ft from our

180th St North/South

100 ft from our home on west

Dave.

June 22

Was I misinformed
about the present power
to Centuria being 69,000 KV?
The village clerk gave
me this information.

If so, I'm sorry I
stated that in my first
letter to you.

Deanne Hoffman

We don't need nor want any more
power/transmission lines past our homes.

Photo shows close proximity of day care to power lines (Proposed trans. lines) 1752-6 180th St, Centuria



Day care Center sign in left of photo

1752-6 180th St, Centuria



← Photo shows one of the hills and valleys, narrow ditches and road bed along 180th St, Centuria

Junction of power lines at Child care, 1752-6 180th St, East/West: 175th Ave - 12470 KV Balsam Lake to Centuria route. North/south: 180th St, 2 lines to junction, 12,470 KV. 50' of junction

June 25, 2009

DOCKET # 4280CE106 P.S.C.

Mr Dahlberg,

Copies of our petitions are enclosed with 30 concerned citizens signatures. Because not everyone feels comfortable writing letters or emailing, our petition is very important.

We along 180th St + 170 Ave. have been working hard to get our point across. These transmission ^{lines} do not belong in our neighborhood.

Because your proposed transmission lines are for the benefit of the village of Centuria and its industrial park, using as much village property for your lines would be the best choice for all involved. Your alternative routes will benefit the village - its destination. We along 180th St + 170 Ave. to the substation will have no benefit from these lines.

We appreciate your efforts as well as Dan Olson in finding an alternative route,

Kind Regards

Dianne Hoffman

Richard Z Hoffman

1744 180th St

Centuria, WI 54824

715-646-2226

Encl. Petitions

Please forward to P.S.C. Paul Rahr - petition + letter

PETITION: To stop proposed NWE 69,000KV transmission lines from going past our homes via 180th Street to 170th Ave, to NWE substation on 170 ave. Centuria.

We are concerned for safety of 19 homes, 14 plus children and a day care center. Most of our homes are in close proximity to proposed line: 75 ft, 100 ft, 120 ft. This is not a safe distance from the 69,000 KV lines magnetic field.

These transmission lines will be here forever. Many families have lived on 180th St. + 170 ave for 25 to 65 years. Mr. Bakers tree farm would suffer greatly.

Your alternate routes such as the Centuria Sewer Plant route (shorter and safest) or Hwy 35 (7/10 of a mile further would be better choices), if more electricity to this area is needed.

Names	Address	City	Zip
Carol Rosendahl		Centuria WI	
Dave Rosendahl		Centuria WI	
Dorothy Hill	1709 180 th St.		54824-7429
Stacia Hill	1837 170 th Ave	Centuria WI	54824
"	" " "	" "	" "
Paul Johnson	1825 170 th Ave	Centuria	54824
Sue Duester	1722 Larsen Lane	Centuria, WI	54824
Alton C. Duester	1722 Larsen Lane	Centuria WI	54824
Bruce Hoglund	1719 180 th St.	Centuria WI	54824
Jack Hill	1790 180 th St	Centuria WI	54824
Amy Hoffman	1790 180 th St	Centuria, WI	54824
Kenneth Metz	1788 180 th St	Centuria WI	54824
Daphne Hoffman	1744 180 th St	Centuria, WI	54824
Richard Hoffman	1744 180 St	Centuria WI	54824
Docket 4280 CE 106 (Public Service Commission)			

14	Pat Benz	1834 170 th Ave	Centuria WI	54824
15	Orville Preiner	1834-170 Ave	Centuria WI	54824

PETITION: To stop proposed NWE 69,000KV transmission lines from going past our homes via 180th Street to 17th Ave. to NWE substation on 170 ave. Centuria.

We are concerned for safety of 19 homes, 14 plus children and a day care center. Most of our homes are in close proximity to proposed line: 75 ft, 100 ft, 120 ft. This is not a safe distance from the 69,000 KV lines magnetic field.

These transmission lines will be here forever. Many families have lived on 180th St. + 17th Ave for 25 to 65 years. Mr. Baker's tree farm would suffer greatly.

Your alternate routes such as the Centuria Sewer Plant route (shorter and safest) or Hwy 35 (3/10 of a mile further) would be better choices, if more electricity to this area is needed.

- | | | | | |
|----|------------------|----------------------------|---|--------------------|
| 16 | Shawn McLean | 1752 | 180 th St. | Centuria, WI 54824 |
| 17 | Gloria Larsen | 1866 | 180 th St | Centuria, WI 54824 |
| 18 | Jerry L. Larsen | 1866 | 180 th St. | Centuria, WI 54824 |
| 19 | Con [Signature] | 412 | WI Ave | Centuria, WI 54824 |
| 20 | Stephanie Larsen | 1868-180 th St. | Centuria, WI | 54824 |
| 21 | Jerry & Larsen | 1868 | 180 th St | Centuria, WI 54824 |
| 22 | Carol F. Protop | 1855 | 180 th St. | Centuria, WI 54824 |
| 22 | Leslie Nyholm | 1752 | 180 th St. | Centuria, WI 54824 |
| 24 | Nancy Johnson | 1825 | 170 th Ave | Centuria, WI 54824 |
| 25 | Sharon Palphie | 1715 | 180 th St | Centuria, WI 54824 |
| 26 | Jerry Palphie | 1715 | 180 th St. | Centuria, WI 54824 |
| 27 | Dr. [Signature] | 1796 | 177 th Ave | Centuria, WI 54824 |
| 28 | Wanda Patterson | 1796 | 180th Ave (180 th St)
177 th Ave | Centuria, WI 54824 |

Docket # 4280 CE 106 (Public Service Commission)

PETITION: To stop proposed NWE 69,000KV transmission lines from going past our homes via 180th Street to 17th Ave, to NWE substation on 170 ave. Centuria.

We are concerned for safety of 19 homes, 14 plus children and a day care center: Most of our homes are in close proximity to proposed line: 75 ft, 100 ft, 120 ft. This is not a safe distance from the 69,000 KV lines magnetic field.

These transmission lines will be here forever.

Many families have lived on 180th St. + 17th Ave for 25 to 65 years. Mr. Bakus tree farm would suffer greatly.

Your alternate routes such as the Centuria Sewer Plant route (shorter and safest) or Hwy 35 (2/10 of a mile further) would be better choices, if more electricity to this area is needed.

	Names	Addresses
29	Steve J Matz	1780 180 th ST Centuria, WI
30	Robert A Hoglund	1719 180 th St. Centuria, WI 54824

Docket # 4280 CE 106 (Public Service Commission)

Dave Dahlberg

From: Dave Dahlberg [davedahlberg@nweco.com]
Sent: Thursday, June 25, 2009 11:50 AM
To: 'David Rosendahl'
Cc: Rahn, Paul
Subject: RE: NWE Transmission Line Project

Mr. Rosendahl,

Thank you for your input. By this reply I have forwarded your comments to the Public Service Commission. Please feel free to provide additional comment or ask any questions you may have.

Dave Dahlberg

-----Original Message-----

From: David Rosendahl [mailto:rosen020@gmail.com]
Sent: Thursday, June 25, 2009 9:02 AM
To: davedahlberg@nweco.com
Subject: NWE Transmission Line Project

Mr. Dahlberg,

As a resident living along 180th Street I would like to voice my concerns with the proposed transmission line project. As with any of these projects I believe we have to focus on minimal impact on the residents living along this route. I think some of the alternate route suggestions would only make sense (shorter, more direct, less homes effected).I realize the need for more power transmission to the Centuria area, but I feel we need to explore all options.

Thanks for your attention to our concerns on this issue.

Dave Rosendahl

Dave Dahlberg

From: Stuart Baker [treenut2k@gmail.com]
Sent: Thursday, June 25, 2009 2:25 PM
To: Dave Dahlberg
Cc: paul.rahn@psc.state.wi.us; Olson, Dan
Subject: Re: NWE Transmission Line Project.

Dave,

I usually hit 'reply to all' so my reply would have gone to Mr. Rahn as well. I hope he doesn't mind getting multiple copies.

I am very glad to hear that you will be including these alternative routes in your proposal. As Dan said, we have at least one alternative that is shorter and passes through significantly less populated neighborhoods.

Second, I thought it sounded strange when I heard that Centuria already had this power so I'm glad you set me straight on that. I was very uneasy about that whole thing because it really doesn't have any bearing on our concerns about this project. Now we can move on to the important issues.

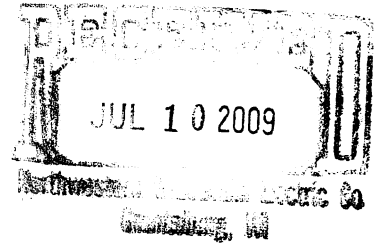
Basically, as we see it, the choice is between routing a potentially dangerous high voltage power transmission line through a populated neighborhood or taking a shorter and more direct route along unpopulated fields and forests. Well away from houses, families, and businesses (for the most part).

Thanks again for keeping me informed and answering my questions.

Stuart

Dave Dahlberg wrote:

> Mr. Baker,
>
> Thank you for your email and thank you for copying Mr. Rahn at the
> PSC. I want to be completely open in this process and am forwarding
> all correspondence that I receive to him.
>
> I would like to respond to a couple of issues that you have raised.
> First, we are continuing to explore the alternative routes that have
> been suggested and will be including our evaluation in our application
> to the PSC.
>
> Second, the present power supply into the Centuria area is NOT 69KV
> like St. Croix Falls. It is 12.47KV and either comes 5.5 miles from
> Balsam Lake or 21 miles from another substation. As it stands today,
> if the Balsam Lake line fails, we cannot carry the load in the
> Centuria area from the backup source. We experienced this problem
> last summer when we tried to do some work on the line from Balsam
> Lake. The need is real and already present.
>
> Thank you again for your input.
>
> Dave Dahlberg



Mr. Dahlberg,

We are truly concerned about the 69,000 KV Transmission lines that are possibly scheduled to go up from across our home. Our main concern is that we have 2 children and have done some research on the dangers of living close to high voltage power lines. The distance from our home to where these lines will be is aproximatley 120 FT and we are truly uncomfortable with this our family is very important to us and whether or not these studies we've read about are proven facts does not matter to us and we DO NOT want our family or neighbors to become statistics. Another concern we have is our property value decreasing because of this. We have been informed that one concern you have about hwy 35 is the safety of your workers and although the posted speed limit is 45 mph on 180th st the majority of drivers exeed the speed limit we do not allow our children because of this to ride bike or walk on the street also another added concern for your workers would be the lack of ditches and number of hills and valleys. Please consider a less populated route such as the Centuria sewage plant or hwy 35 to 170th ave to sub station.

Thank you for
your time,
Mark & Amy
Hessman

1790 180th St
Centuria

Please forward to
Paul Rahn

Docket # 4280 CE 106

Dave Dahlberg

From: Rahn, Paul PSC [Paul.Rahn@psc.state.wi.us]
Sent: Friday, July 10, 2009 4:18 PM
To: 'Sue and Al Duerkop'
Cc: rep.hraychuck@legis.wi.gov; davedahlberg@nweco.com
Subject: RE: NWE Transmission Line Project

I wish to clarify that the Public Service Commission does not have a 400-foot setback requirement for electric transmission lines. The Commission does ask project applicants to provide counts of the numbers of homes, businesses, and daycare facilities within 300 feet of proposed routes as part of our application filing requirements. This distance is used because the Commission asks applicants to model magnetic field levels out to that distance, in order to show the entire magnetic field profile and provide that information to the public. It does not reflect any particular concern about impacts within that distance.

Paul Rahn
Environmental Analyst
Gas and Energy Division
Public Service Commission of Wisconsin
(608) 267-8967

-----Original Message-----

From: Sue and Al Duerkop [mailto:duerkops@centurytel.net]
Sent: Thursday, July 02, 2009 10:34 PM
To: davedahlberg@nweco.com
Cc: Rahn, Paul PSC; rep.hraychuck@legis.wi.gov
Subject: NWE Transmission Line Project

Al Duerkop
Sue Duerkop
1722 Larsen Lane
Centuria, WI 54824

June 29, 2009

Dear Mr. Dahlberg:

We are writing to add our voices to those who have already written to you about the proposed route of the power-line going into Centuria. Following the 180th route impacts many more families than following established easements along Highway 35. From our count 17-19 homes are established along the 180th Street-170th Ave route and only 4-7 are along the Highway 35 easements.

We are concerned about the potential environmental impact on our land and to ourselves. Environmentally, part of the 180th route is over wetlands. Will this power line impact flight patterns of eagles, owls and hawks (which we know are in the area) and water fowl who migrate to and through the Long Lake bay adjoining 180th St.? Personally, we understand studies on EMF are inconclusive at best. However the reporting and notification requirements for homes, businesses and "daycare" facilities indicate state government regulators are concerned about impacts that may be either real or imagined to require setbacks of 400 feet to be mentioned in the notification process.

We are concerned about aesthetics and property valuation. The installation of the line will likely negatively impact property values which have already been impacted negatively by the economic downturn in real estate. The economic impact on individual net worths is greater on one route than the other. Cumulatively this also will impact the Townships of Balsam Lake and St. Croix tax base with a greater reduction one route vs the other. The more families you impact the greater economic impact to both the individuals and the tax

.base.

The project raises many questions regarding priorities and motivations by the Village of Centuria and NWE. We don't understand why the 180th street route is in the best interests of all parties. On our side we are not in the village of Centuria, so we have no say in their decision-making nor directly benefit from their industrial park expansion. We are customers of NWE. However, what reciprocal consideration does NWE show to us imposing this large expansion past our homes beyond continuing service? Customers or bottom line cost of expansion for business interests? We find it hard to understand why the cost of a few tenths of a mile warrants the larger imposition.

Another party reported to us a reason given in defense of the 180th route choice regarded the safety for workers installing the line. How so? The 180th section is a narrow unmarked centerline road with no shoulders. There are sections with no ditch near elevated terrain and deep ditches near two wetlands areas. Compare that with Highway 35's wider road bed, painted centerline & road edges, established shoulders and primarily level terrain through the entire 35 route and no wetlands. Part of the proposed route is already scheduled for Highway 35 and the crew will have experienced safe construction practices for that section. Anecdotally, few people obey the 45 mph speed limit on the 180th "back roads". Occasionally people use it to exceed reasonable speed limits for fun. It seems the debate would conclude; if you are already constructing on a level Highway 35 route, continuing that route provide more level terrain and consistent construction safety practices.

Decisions like these often seem to be made in board rooms by people with little consideration for the people who will be impacted. Is that the attitude being followed by NWE in this project also? Are decisions being made based on economics alone with no regard for environmental issues, or the number of people in the homes that will be sitting within 75 feet of these lines?

To us there are better choices available to NWE that will enable a valuable expansion to occur. We acknowledge that this is likely an asset to the Village of Centuria Business Park and subsequently the entire Polk County area economy. We would like to understand more clearly what priorities are in play that would motivate NWE to establish this line past a greater number of homes, through environmentally sensitive lands, and more challenging terrain. There is a societal expectation that major power infrastructure follows easements along major transportation routes. Again, we would like to understand why the priority is to route this infrastructure along a more residential township road.

Respectfully,

Al Duerkop
Sue Duerkop

Dave Dahlberg

From: Linda & Gary Williamson [williamsong@gra.midco.net]
Sent: Saturday, July 11, 2009 7:30 AM
To: 'Dave Dahlberg'
Subject: RE: Centuria 69 kV Transmission Line and Substation Project (your letter dated Jul 8, 2009)

We got your updated letter dated Jul 8, 2009, so thanks for sending that. We wanted to let you know of a possible change in ownership of some of the land involved. We are in the process of selling the farmstead at 1956 State Rd 35, but it's only three acres including the house and buildings, so there's only about 250 feet along State Rd 35 that's involved. The closing is scheduled for Jul 27, 2009, if everything goes as planned. The buyer is Karen Christensen, who presently lives on the farm across 35 and just to the north of that farmstead. We can keep you posted on when the closing actually is completed, and we will advise the buyer of this project. Please let us know if there's anything else we should do. Thanks.

Sincerely,
Gary Williamson

From: Dave Dahlberg [mailto:davedahlberg@nweco.com]
Sent: Monday, May 04, 2009 5:18 PM
To: williamsong@gra.midco.net
Cc: Rahn, Paul; Olson, Dan
Subject: RE: Centuria 69 kV Transmission Line and Substation Project (your letter dated Apr 21, 2009)

Mr. Williamson,

Thank you for your input and questions regarding our Centuria transmission line project. Thanks also for allowing access to your property to plan the project. I will have Dan Olson, who will be staking the project, contact your brother regarding possible locations of new poles and anchors.

Regarding the need for additional easement, we will require an easement that is 40' wide on either side of the transmission line. If the existing distribution easement is 25' on either side of the line, then we would need an additional 15' in width. Regarding the price paid for transmission easements, we are paying \$1.50/foot for brand new easements or \$300/pole and \$200/anchor, whichever is higher. If we have an existing distribution easement, we will reduce these amounts for the additional easement. In my example above, the payment for an additional 15' would be 15/40ths of the per foot or per pole price. A new easement would need to be signed.

Thank you again for your willingness to work with us on this project.

Sincerely,

Dave Dahlberg

-----Original Message-----

From: Linda & Gary Williamson [mailto:williamsong@gra.midco.net]
Sent: Sunday, May 03, 2009 4:05 PM
To: davedahlberg@nweco.com
Cc: williamsong@gra.midco.net
Subject: Centuria 69 kV Transmission Line and Substation Project (your letter dated Apr 21, 2009)

Dear Mr. Dahlberg,

Thank you for the letter notifying us and explaining the new transmission line that will go along the edge of our property on Highway 35 between Centuria and Milltown. I will share the information with my brother and his wife who are co-owners, Vern and Bonnie Williamson of Amery, WI. I have just a couple

of questions, if you don't mind.

As you are evaluating the route, if you need to access our property, that will be no problem. The quickest way to get permission would be to contact my brother Vern by cell phone, as he is usually in the Centuria area doing farm work. His cell phone is 715-554-1512. Also, he would be interested in finding out about the locations of the new poles and guy wires and how they will impact the fields. If you don't get an answer right away just leave a message and he will get back to you.

The letter mentioned purchase of an easement, so I gather from this that there will be some additional easement required beyond what there is for the existing distribution lines? This will be no problem, I was just curious if there is some legal paperwork involved and approximately how much money is involved, if any?

Thank you for your time and attention, and please let us know if there is anything we can do to cooperate with your efforts on this project.

Sincerely,

Gary Williamson

Dave Dahlberg

From: Dave Dahlberg [davedahlberg@nweco.com]
Sent: Monday, July 06, 2009 3:35 PM
To: 'pcledger@lakeland.ws'
Cc: Rahn, Paul; Dahlberg, Mark; Richards, John
Subject: Ad for this week's paper

Please put this ad in the Polk County Ledger for the July 9, 2009 edition. A 2x3 ad would be fine. Please bill NWE at the address listed below. Thank you.

Dave Dahlberg
Vice President
Northwestern Wisconsin Electric Company
104 S Pine St, PO Box 9
Grantsburg, WI 54840
715/463-5371 PH
715/491-0266 CELL
715/463-2765 FAX
davedahlberg@nweco.com

Public Information Meeting
Tuesday July 14th, 4-6pm

A public information meeting will be held on Tuesday July 14th from 4-6pm at the Village of Centuria offices, 305 Wisconsin Ave, regarding Northwestern Wisconsin Electric Company's (NWE) proposal to build a power line into the Village of Centuria. Representatives from NWE and the Wisconsin Public Service Commission will be on hand to discuss the project and answer any questions you may have. For more information, call Dave Dahlberg at NWE at 715/463-5371.

Centuria Project Planning/Approval/Construction Process
Public Informational Meeting
July 14, 2009

Determine the Need

- Centuria and surrounding area are served by 5.5 miles of distribution from Balsam Lake substation.
- Backup source is 21 miles from Atlas substation.
- Loss of Primary source results in area voltage of 75%.

Determine the Benefits vs. Costs

- Cost of Project is \$1.2 million along preferred route.
- Growth in Centuria and surrounding area cannot be supported without project.
- Project will increase reliability to area.
- Line exposure will be reduced.
- Existing Primary source from Balsam Lake becomes backup source.
- Losses will be cut by over 90%.

Determine Route

- Route should make the most use of existing corridors and Right-of-Ways.
- Preferred route is 4.5 miles with 3.5 miles of ROW shared with existing distribution. 100% of route along road/highway ROW.
- Alternative route is 4.8 miles with 2.5 miles of ROW shared with existing distribution. 100% of route along road/highway ROW.

Apply for Certificate of Authority

- Submit application to Wisconsin Public Service Commission and to Wisconsin Department of Natural Resources.
- PSC/DNR approve project and route.

Construct Transmission Line

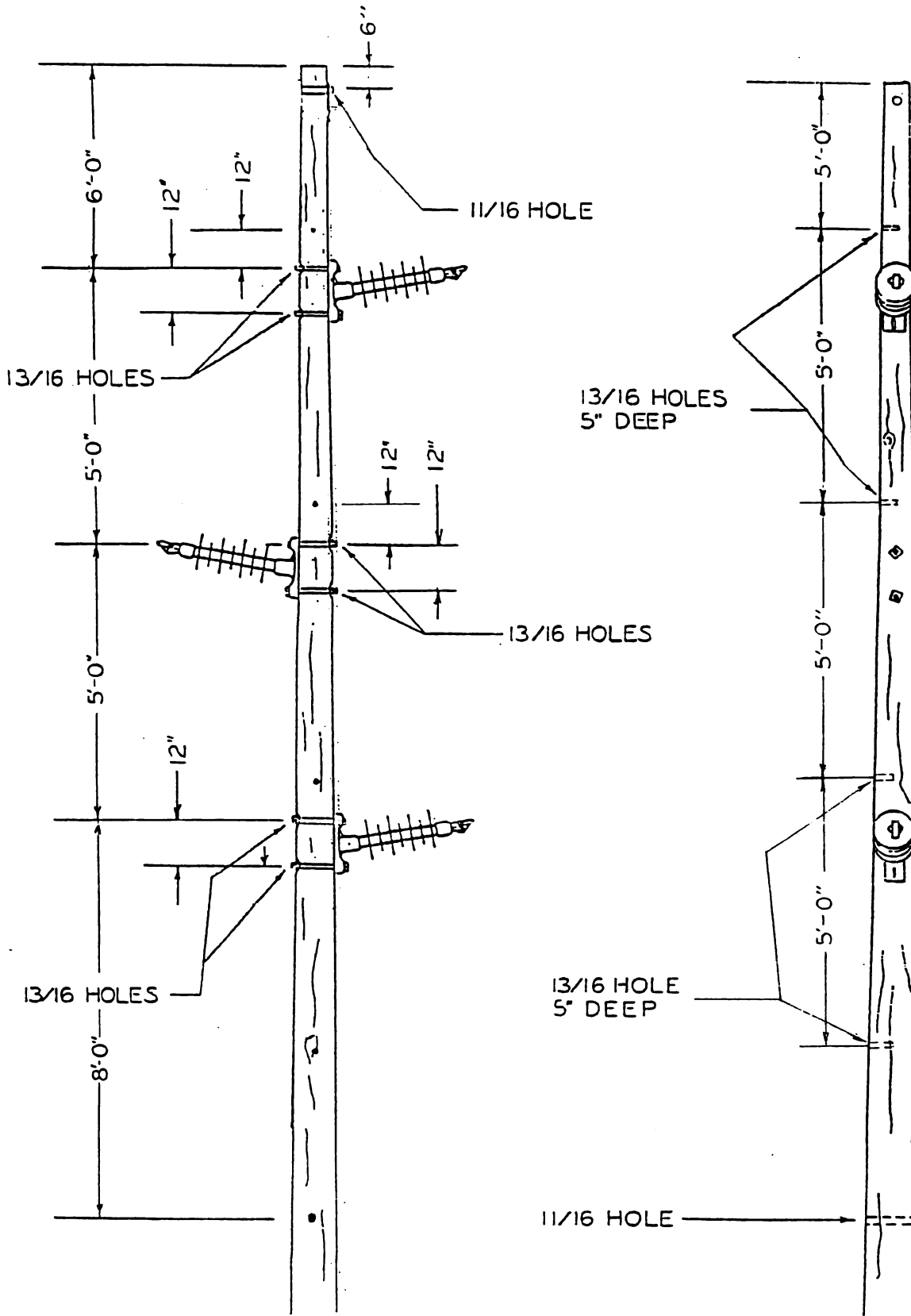
- Obtain necessary permits (DNR, DOT, St. Croix Twp).
- Obtain Easement from property owners.
- Clear ROW.
- Powerline construction.

Construct Substation

- Purchase Property.
- Obtain necessary permits (DNR, Polk Co., V. Centuria)
- Substation construction.

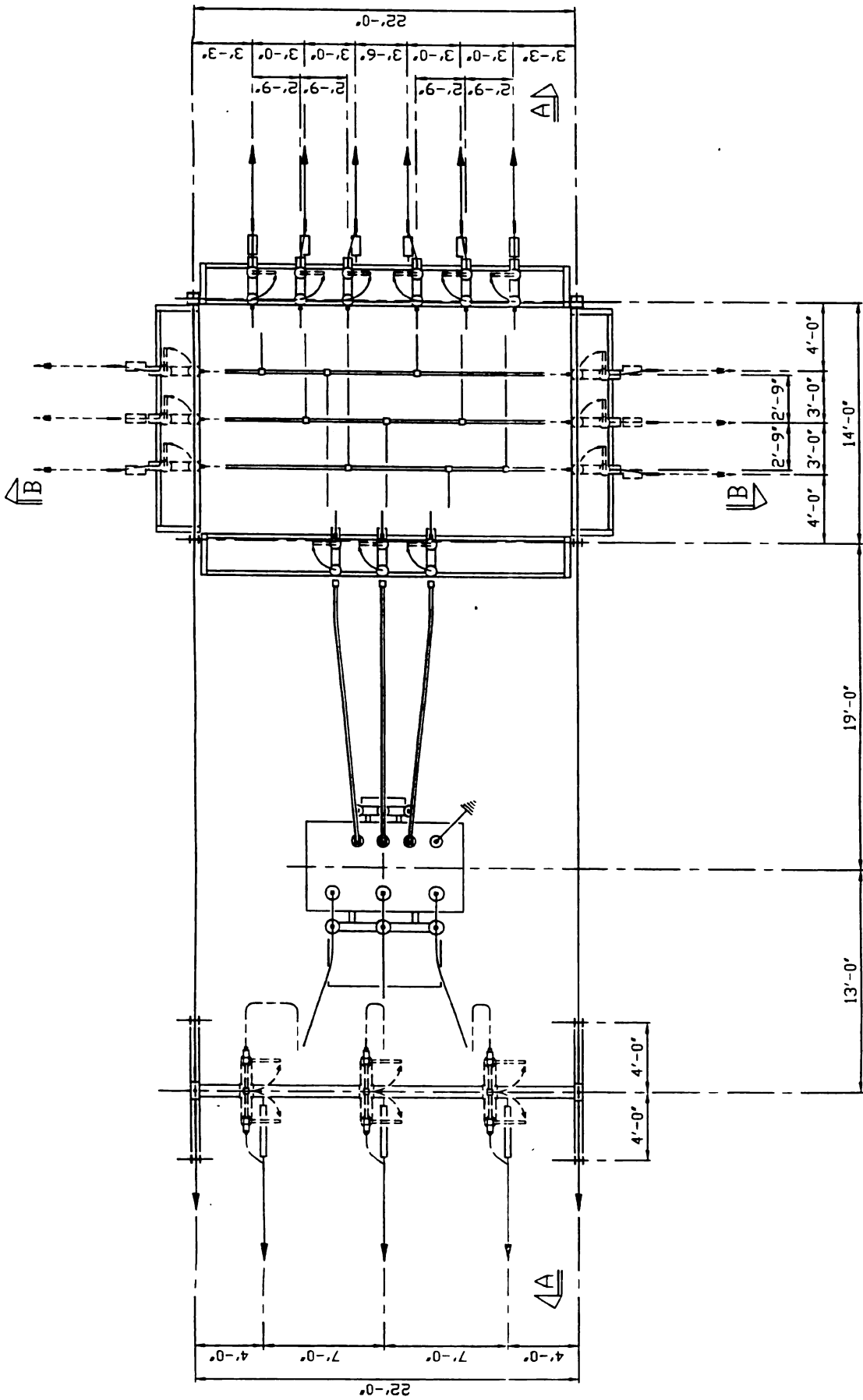
Project Schedule

- July 2009 – Submit Application
- October 2009 – Receive PSC/DNR Approval
- October 2009 – Begin Construction
- June 2010 – Place Project in Service

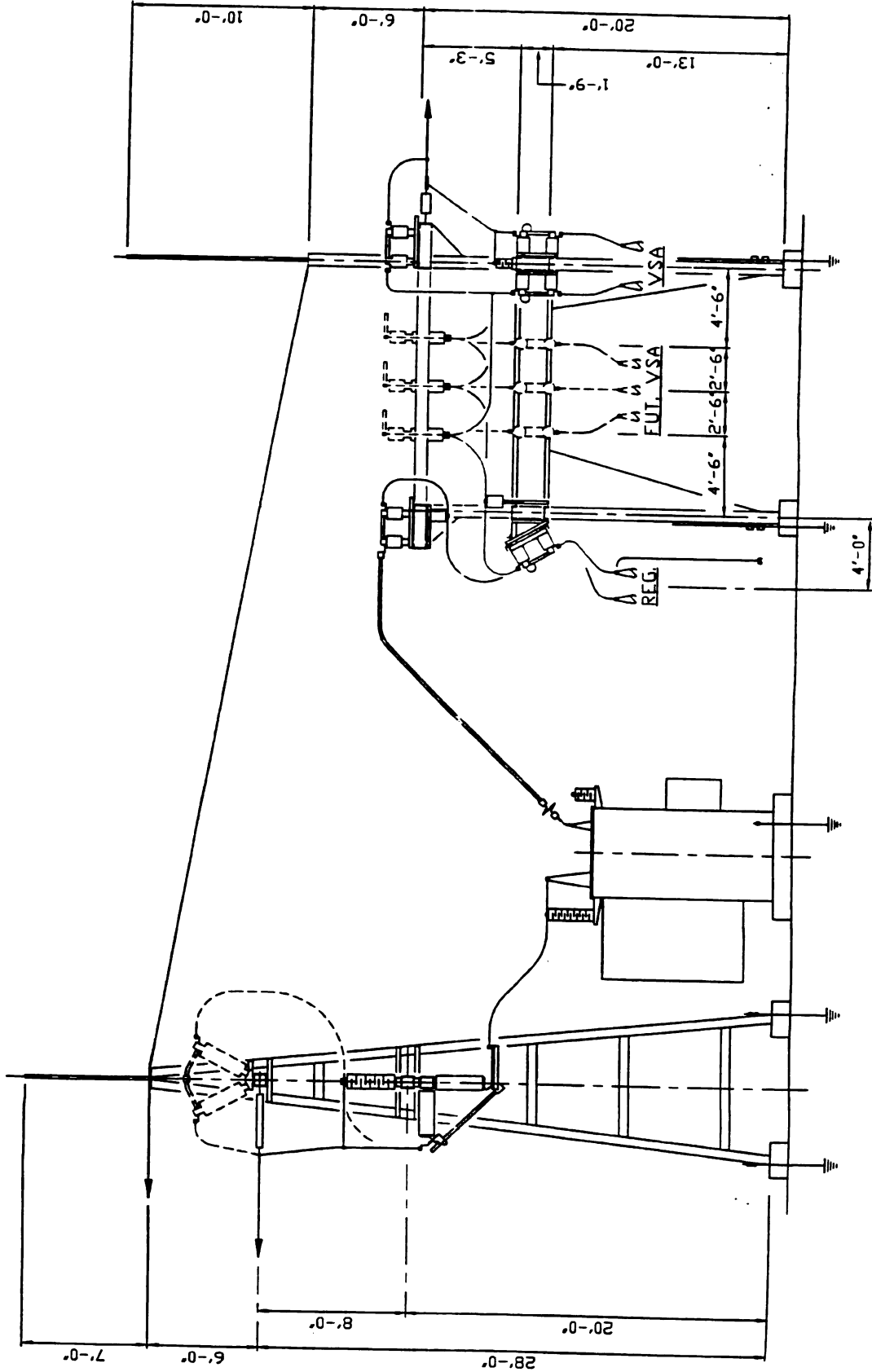


NO SCALE

HP 1-R1



PLAN VIEW



ELEVATION "A-A"

7\D7-17-07-69

VOLTAGE		ELECTRICAL CLEARANCES		SUSPENSION INSULATORS		
KV	KV MIN.	LINE TO LINE	LINE TO GROUND	TYPE	NO.	NO. PER STRING
		MINIMUM	RECOMM.			

THE INFORMATION ON THIS DWG. IS
 NOT TO BE USED FOR ANY OTHER PURPOSE

Centuria Project
Public Informational Meeting
July 14, 2009
Comment Form

This is not a public hearing and testimony will not be taken. If you wish to comment on the project, all comments will be forwarded to the Wisconsin Public Service Commission. Please include your name and address. Written comments may be submitted today or sent before July 31, 2009 to one or both of the following persons.

Paul Rahn, Environmental Analyst
Wisconsin Public Service Commission
610 N. Whitney Way
PO Box 7854
Madison, WI 53707-7854
608/267-8967
paul.rahn@psc.state.wi.us

Dave Dahlberg
Northwestern Wis. Electric Company
104 S Pine St
PO Box 9
Grantsburg, WI 54840
715/463-5371
davedahlberg@nweco.com

To Paul & Dave my name is Daniel Trautman
I own the property on the corner of State Rd 35 & 180th Ave.
My property is on alternate power line route which will run thru
my front yard and 100 year old maple trees. If the alternate route
is chosen why can't the lines be run on the other side of the
Highway by the Gandy Dancer trail no houses & no trees.

Daniel K Trautman
38035 Heena Ave
North Branch Mn 55056